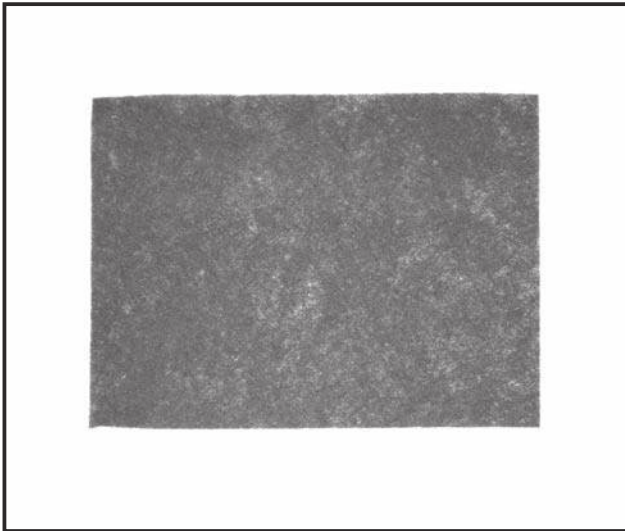




Photo



Descriptions

Filter Element (12 Pieces) for ceiling suspended models for professional kitchen use.

Applicable Models

- PCA-RP71HA
- PCA-RP125HA

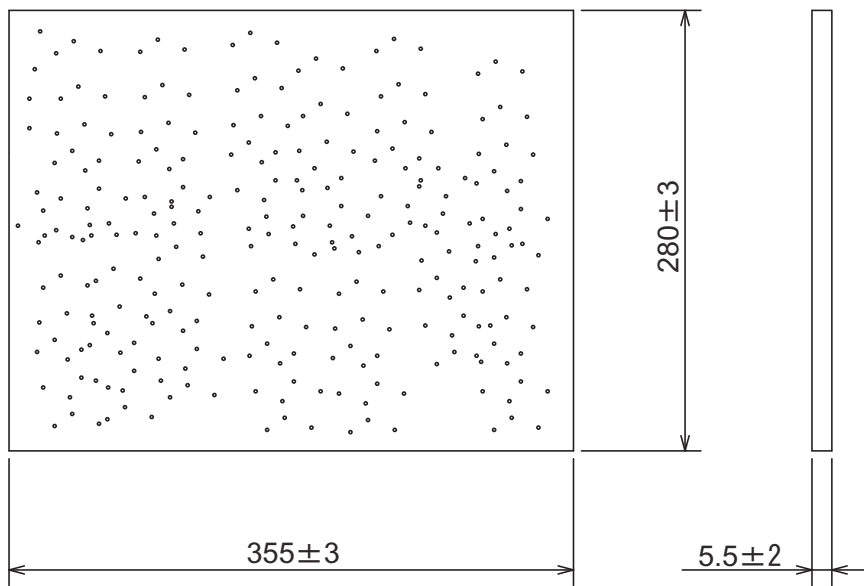
Specifications

Material	Modacrylic fiber / Polyester
Color	Black
Temperature	60°C or less
Reproduction	Disposable (Reproduction not possible)
Packing	12 elements per bag

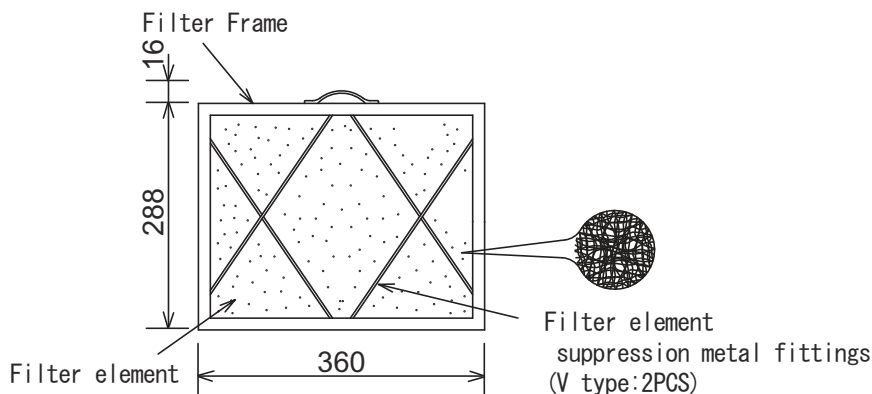
Note: Only the filter element must be replaced
(the filter frame provided on the main body must be used)

Dimensions

Unit : mm



State of installation to filter frame



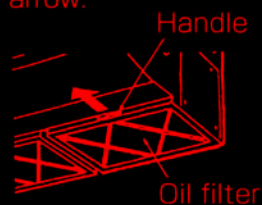
OPTIONAL PARTS

How to Use / How to Install

Cleaning the oil filter

1) Removing the oil filter

- ① Remove the filter by sliding it in the direction of an arrow.



RP71 → 3pieces
RP125 → 4pieces

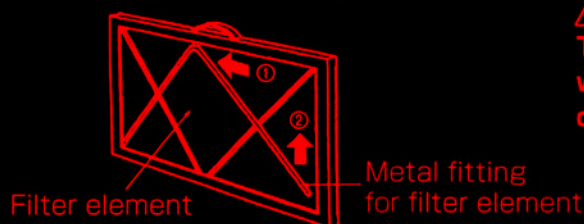
2) Replacing the filter element

- ① Remove the oil filter by sliding it in the direction of an arrow.
② Remove the two metal fittings for filter element according to the following procedure. Bend the metal fittings towards ① side (inside) and then slide them in the direction of ② to remove.
③ Replace the filter element (disposable).

Note:

Install the filter element within the frame securely.

- ④ Install the metal fittings for filter element in their original positions.
⑤ Turn the side of oil filter that the metal fittings are installed downward and install the filter in the unit.



3) Cleaning the frame of the oil filter

Tools to be prepared

- Protective goods such as a rubber glove
- Scrubbing brush or brush

Note:

Avoid using a metal scrubbing brush or brush since the aluminum materials could be damaged.

- Household neutral detergent or alkalescent detergent (for washing dishes or clothes)

Note:

If alkaline detergent is used for cleaning, the part made of aluminum could discolor.

Make sure the filter element is removed when cleaning the oil filter.

- ① If the filter is not so dirty. (If the filter is cleaned once a week (once per 100 operating hours).) Wash the filter with water and above-mentioned detergent using a scrubbing brush or brush, etc. (It is more effective to wash the filter with lukewarm water.)

- ② If the filter is extremely dirty.

Put the previously-mentioned detergent (its strength should be about 1/10 of undiluted solution) into hot water whose temperature is 50°C or less, and soak the filter for 1 hour or more before washing.

⚠ Warning:

To prevent your hand from burning, start washing the filter after the hot water gets cold.

